

Name \_\_\_\_\_

Math 7

Date \_\_\_\_\_

Classwork 11.6

## Area of Composite Figures

**AIM:** How do you find the area of a composite figure?

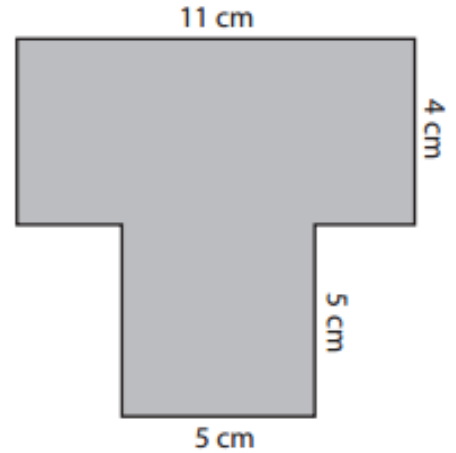
**Example #1:**

Find the area of the composite figure. Show all of your work.

**Step 1: Break** the composite figure into individual shapes.

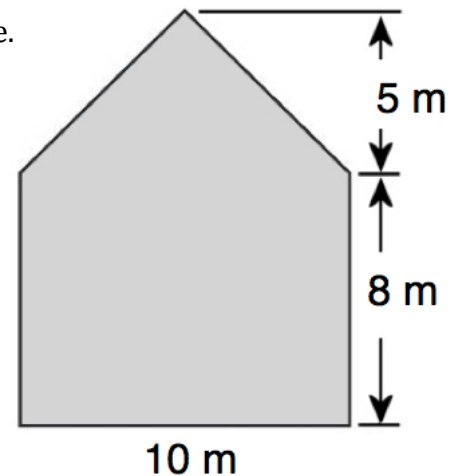
**Step 2:** Find the **area** of each piece.

**Step 3:** Find the **sum** of the areas.



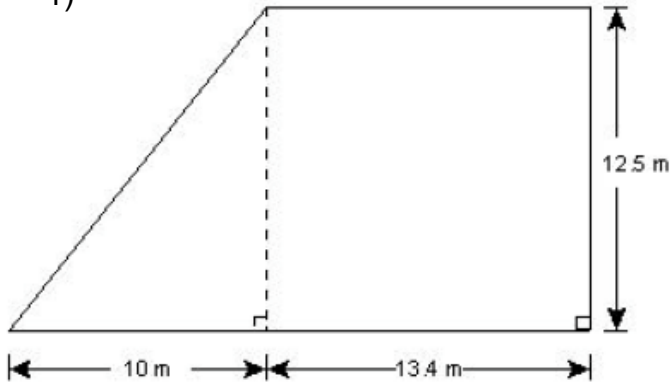
**Example #2:**

The figure is made up of a triangle and a rectangle, find the area of the figure.

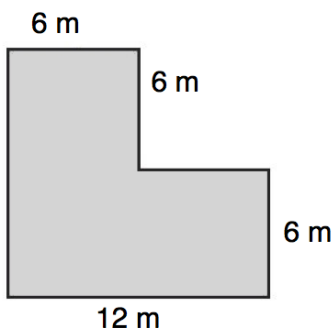


**On your own:** Find the area of the figures shown below. **Show your work.**

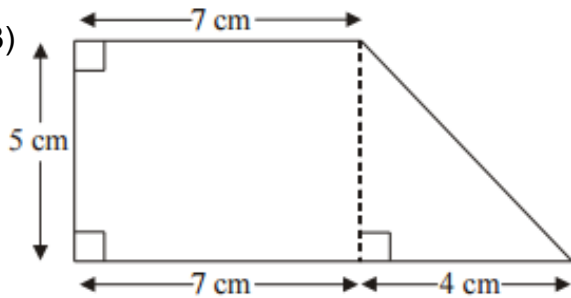
1)



2)



3)



4)

